

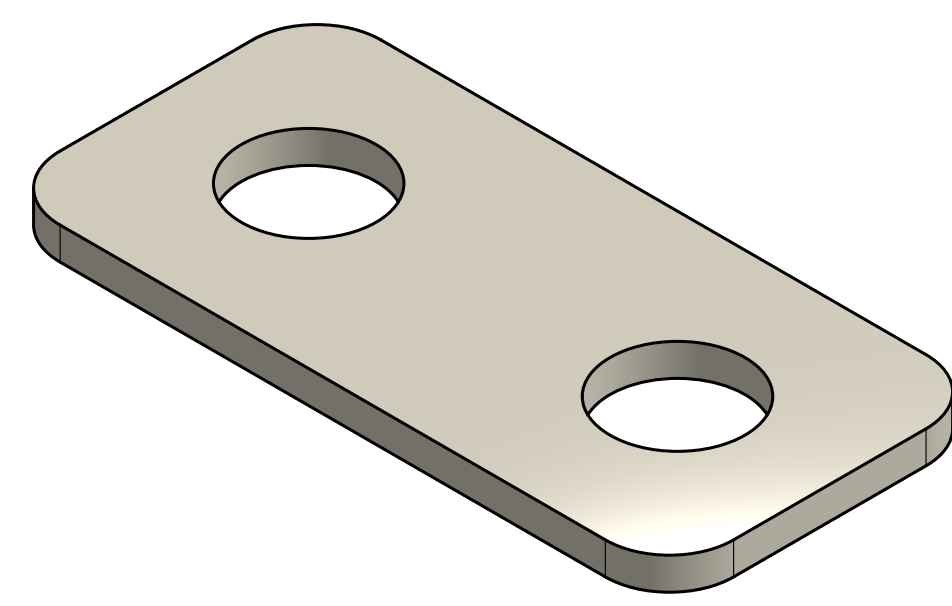
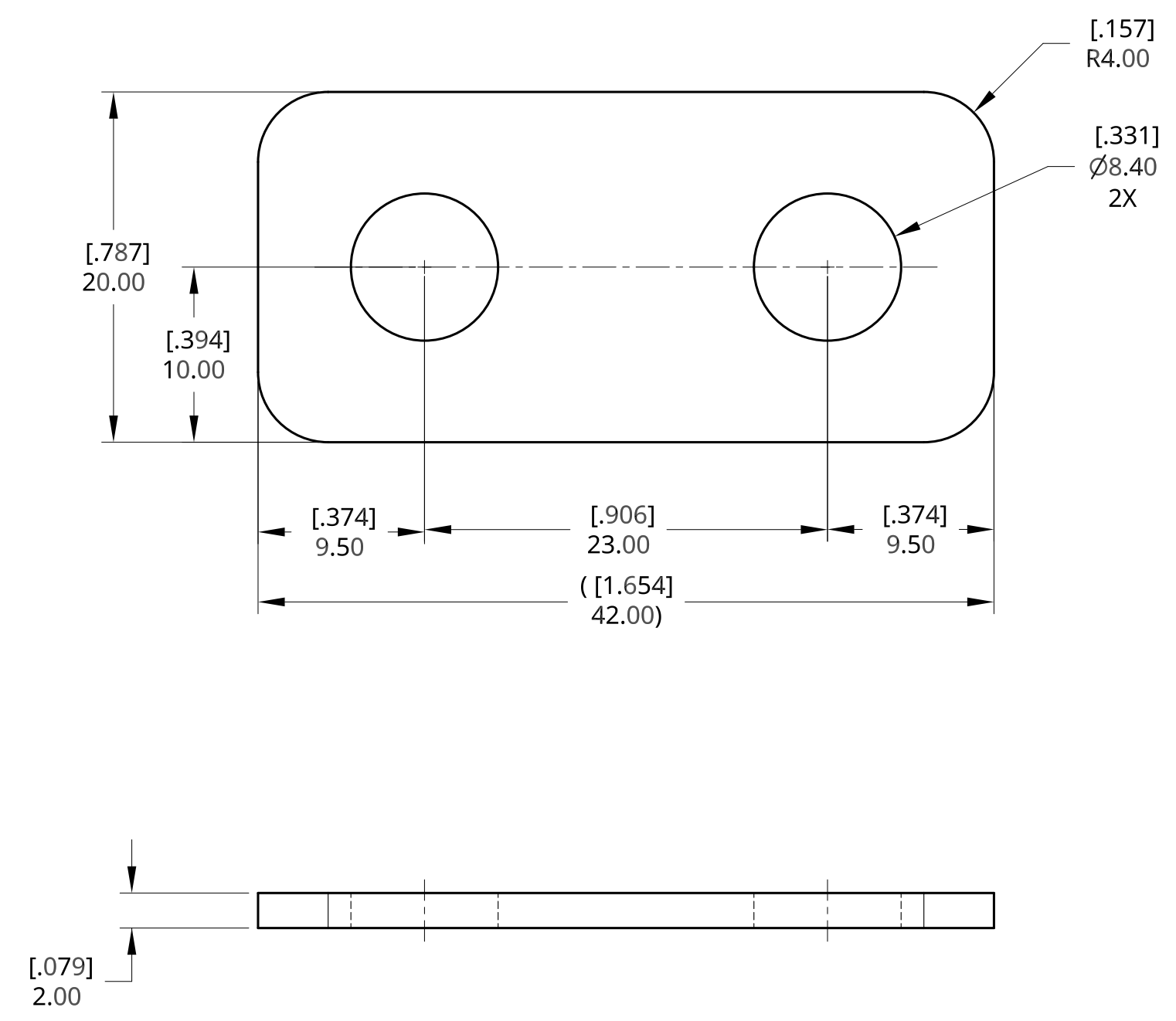
4

3

2

1

REVISIONS				
ZONE	REV.	DESCRIPTION	DATE	APPROVED



- NOTES:
- MATERIAL: COPPER CDA 110
 - PLATING: TIN PLATE PER MIL-T-10727, MATTE

UNLESS OTHERWISE SPECIFIED, DIMENSIONS ARE IN MILLIMETERS .XX = ±.13 ANGULAR = ± ° .XXX = ±.050 FRACTIONAL = ±	DRAWN	Justin Kaufman	9/27/2018	Egis Mobile Electric 3135 Mercer Ave, Ste 102 Bellingham, WA 98225, USA
	CHECKED			
	APPROVED			
	TITLE: Busbar, TH2 / 8+2 Series Connection, Bulk Pack			
SURFACE FINISH	THIRD ANGLE PROJECTION			THIS DRAWING AND THE INFORMATION CONTAINED WITHIN IT ARE CONFIDENTIAL AND MAY NOT BE COPIED OR DISCLOSED WITHOUT THE WRITTEN PERMISSION OF EGIS MOBILE ELECTRIC.
DO NOT SCALE DRAWING BREAK ALL SHARP EDGES AND REMOVE BURRS	SIZE: C	DWG NO.: 901262	REV: A	SCALE: NTS WEIGHT: SHEET: 1 of 1

4

3

2

1

D

D

C

C

B

B

A

A